



Quick Start Guide

V5.0

AFFO

**Thermal Imaging
Monocular**

APO9/API3/AL19/AL25

EN/DE/IT/FR/ES

EN

Please read this guide before using the product, and keep the guide for future reference.

For detailed information about the device, please download the complete user manual from the official website (www.infirayoutdoor.com).

DE

Bitte lesen Sie dieses Handbuch sorgfältig durch, bevor Sie dieses Produkt verwenden, und bewahren Sie es zum späteren Nachschlagen gut auf.

Ausführliche Informationen über das Gerät finden Sie im vollständigen Benutzerhandbuch, das Sie von der offiziellen Website (www.infirayoutdoor.com) herunterladen können.

IT

Si prega di leggere questa guida prima di utilizzare il prodotto e conservarla per riferimento futuro.

Per informazioni dettagliate sul dispositivo, si prega di scaricare il manuale d'uso completo dal sito ufficiale (www.infirayoutdoor.com).

FR

Veillez consulter ce manuel avant d'utiliser le produit et gardez-le pour vous y référer ultérieurement.

Pour plus d'informations sur l'appareil, veuillez télécharger le manuel d'utilisation complet sur le site officiel (www.infirayoutdoor.com).

ES

Lea esta guía antes de usar el producto y conserve la guía para referencia futura.

Para obtener información detallada sobre el dispositivo, descargue el manual de usuario completo del sitio web oficial (www.infirayoutdoor.com).

AFFO

Quick Start Guide



EN

Thermal Imaging Monocular

1-15

DE

Wärmebild-Monokularfernrohr

17-34

IT

Monocolo per immagini termiche

35-52

FR

Monoculaire d'imagerie thermique

53-70

ES

Monocular de Imagen Térmica

71-88

Package Contents

- AFFO Series Thermal Imaging Monocular
- Neck strap
- Wrist strap
- Drawstring bag
- Type-C data cable
- Lens cleaning cloth
- Quick Start Guide



AFFO Series



Quick Start Guide



Neck Strap



Wrist Strap



USB Cable

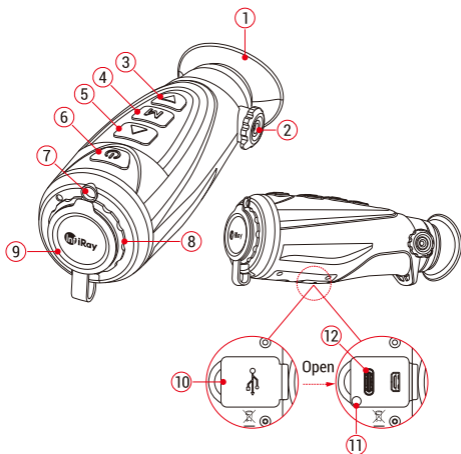


Lens Cloth



Drawstring Bag

Components and Controls



- | | |
|-----------------------|---------------------|
| 1. Eyeshade | 7. LED light |
| 2. Diopter adjustment | 8. Objective lens |
| 3. Down button | 9. Lens cover |
| 4. Menu (M) button | 10. USB rubber cap |
| 5. Up button | 11. Power indicator |
| 6. Power button | 12. Type C port |

| Getting Started

- Open the lens cover (9).
- **Power on:** Press and hold the **Power (6)** button for 2s to turn on the thermal imaging monocular.
- When an infrared image is displayed in the eyepiece, the device enters the working status.
- Rotate the diopter adjustment knob (2) to adjust the resolution of the icon on the display. The diopter adjustment knob is used to adjust the eyepiece diopter for users with different degrees of myopia.
- **Setting the image mode:** briefly press the **Up (5)** button to set the image palette mode. There are five modes for selection: white hot (☀️), black hot (☾️), red hot (🔥), pseudo color (🇺🇸), and target highlight (🐦). The icon on the top status bar is updated in real-time.
- **Setting the display brightness:** In the main menu, select the display brightness option to set the display brightness level from level 1 to level 5.
- **Digital Zoom:** On the home screen, briefly press the **M (4)** button to set the digital zoom.
- **Photography:** On the home screen, short press the **Down (3)** button to take a photo.
- **Video Recording:** On the home screen, press and hold the **Down (3)** button to start the video recording function.
- **Power off:** After using the device, press and hold the **Power (6)** button for 3 seconds to enter the power-off interface with a shutdown countdown. when the




countdown icon turns to 0, release the button. After the current status is saved, the display turns black and the device is powered off. **During the saving data, do not disconnect it from the power source, otherwise, the data cannot be saved.**

- **Standby:** On the home screen, press the **Power (6)** button briefly to standby the device. And press the **Power (6)** button again to wake up the device.

| Main Menu Function

- On the home screen, press and hold the **M (4)** button to enter the menu interface.
- Briefly press the **Up (5) / Down (3)** button to switch among the main menu options.
- Main menu navigation is cyclical: as soon as the last menu option of the first tab is reached, the first menu option of the second tab starts.
- Adjust the current parameters or enter the submenu with a short press of the **M (4)** button.
- The button operations on the submenus are the same as above, that is, switch among options with **Up (5) / Down (3)** button, and press the **M (4)** button to confirm option and return to the upper menu.
- In all menu interfaces, short press the **Power (6)** button return to the upper menu interface.
- Automatic exiting from the main menu to the home screen will occur after 15 seconds of inactivity.




Button Operation

Button	Current status	Short press	Long press
Power button 	Powered off	--	Power on the device
	Home screen	Standby the device	Power off the device
	Standby mode	Wake up the device	--
	Menu interface	Return to the home screen without saving	Power off the device
Up button 	Home screen	Switch the image mode	--
	Menu interface	Scroll up the menu option	--
	Powered off	--	Keep pressing to turn on the LED indicator and release the button to turn off the LED indicator
Menu button 	Home screen	Digital zoom	Enter the main menu
	Main interface	Enter the submenu / Confirm the selection	Save and return to the home screen

Button	Current status	Short press	Long press
Down button ▼	Home screen	Take a photo	Start the video recording
	Main menu interface	Scroll down the menu option	--
	Video recording	Take a photo	Stop and save the video recording
Up + M buttons ▲+M	Home screen	--	Turn on/off the stadiametric rangefinder function
Up + Down buttons ▲+▼	Home screen	--	Turn on/off hotspot tracking
M + Down buttons M+▼	Home screen	--	Calibrate the sensor

Charging

The AFFO series is supplied with a built-in rechargeable Li-ion battery pack, which allows operation up to 9.5 hours. When using the device for the first time, please fully charge it first.

- Open the USB rubber cap **(10)** on the bottom of the device.
- Connect the Type C plug of the data cable to the Type C port **(12)** on the device.
- Connect another port of the data cable to the power adapter.
- Insert the plug of the adapter to the 110-240V socket.
- When the device is charging, the power indicator **(11)** next to the Type C port **(12)** is red. The power indicator **(11)** is on only in the charging status. When the power indicator **(11)** turns green, the device is fully charged. When the power indicator **(11)** blinks alternately red and green, it indicates that the battery is not charged or the temperature is too high or too low.
- When charging, a lighting icon  will appear inside the battery icon on the display. The lighting icon will not disappear until the data cable is removed or the power is cut off.
- Charging is finished when the interior of the battery icon on the display is completely green .
- During using, when the battery icon turns red , this means the power level is low, please charge the device in time to avoid the data loss.

Specifications

Model	AP09	AP13	AL19	AL25
Microbolometer				
Resolution, pixels	256×192		384×288	
Pixel size, μm	12			
NETD, mk	≤40			
Frame rate, Hz	25		50	
Optical Specifications				
Objective Lens, mm	9	13	19	25
Field of view, °	19.4×12.2	13.5×8.4	13.8×8.7	10.5×6.6
Linear field of view(H×V), m at 100m	34.1×21.3	23.6×14.8	24.3×15.2	18.4×11.5
Magnification, ×	1.3	2.0	2.0	2.5
Digital zoom, ×	1/2		1/2/4	
Diopter, D	-7 ~ +2			
Eye relief, mm	20			
Exit pupil diameter, mm	5			
Detection range, m (Target size: 1.7m×0.5m, P(n)=99%)	460	670	980	1300

Model	AP09	AP13	AL19	AL25
Display				
Type	AMOLED			
Resolution, pixels	640 × 400			
Power Supply				
Battery / Capacity / Output voltage	Li-ion battery pack / 3.6Ah / 3.6 V			
Max. battery life (t=25°C)*, h	9.5		7.5	
External power supply	5V (Type C)			
Operational Specifications				
Amount of built-in memory, GB	8			
IP rating	IP67			
Wi-Fi / APP	Support (InfiRay Outdoor)			
Operating temperature, °C	-20 ~ +50			
Weight, g	<340		<350	
Dimension, mm	160×60×60		169×60×60	

* Actual operation time depends on the intensity of Wi-Fi use and the built-in video recorder.

- Improvements may be made to the design and software of this product to enhance its features without prior notice of the customer.

| Update and InfiRay Outdoor

In order to continuously improve the product performance and provide better user experience, the software program, as well as parameters and operating instruction of the device will be constantly updated. Users can go to the official website (www.infirayoutdoor.com) to download and update.

The AFFO series thermal imaging monocular support APP technology, and can be connected to a smart phone or tablet PC via Wi-Fi for real-time image transmission, control operations, and program updates.

You can download and install the **InfiRay Outdoor APP** on the official website (www.infirayoutdoor.com) or APP store. Alternatively, you can download the APP by scanning the following QR code.



Important Safety Information

Environmental influences

- Never point the lens of the device directly at intense heat sources such as the sun or laser equipment. The objective lens and eyepiece can function as a burning glass and damage the interior components.
- Avoid touching the metal surface (cooling fins) after exposure to sunlight or cold.

Ergonomics notes

Take breaks after longer periods of use to avoid wrist pain.

Risk of swallowing

Do not place this device in the hands of small children. Incorrect handling can cause small parts to come loose which may be swallowed.

Safety instructions for use

- Handle the device with care: rough handling can damage the internal battery.
- Do not expose the device to fire or high temperatures.
- Do not disassemble the device to access the battery. The battery is not meant to be replaced by the end user.
- The battery capacity decreases when operated in a cold ambient temperature. This is not a fault and occurs for technical reasons.
- The recommended temperature for using this product is -20° to $+50^{\circ}$. Otherwise, it will affect the service life of the product.

- Do not store the device for long periods at temperatures below -20°C or above 50°C , or this will permanently reduce the capacity of the battery.
- Always store the device in a dry, well-ventilated space.
- If the device has been damaged or the battery is defective, send the device to our after-sales service for repair.
- Before using this product in an environment with water, ensure that the Type C cover is tightly covered.

Safety instructions for the power supply unit

- Check the power supply unit, cable and adapter for visible damage before use.
- Do not use any defective parts. Defective components must be replaced.
- Do not use the power supply unit in wet or humid environments.
- Only charge the device at temperatures ranging between 0°C and 50°C .
- Do not make any technical modifications.

Disposal of batteries



Directive 2006/66/EC (battery directive): This product contains a battery that cannot be disposed of as unsorted municipal waste in the

European Union. For battery details, refer to the documentation of the specific product. The battery is marked with this symbol, which may include Cd (indicating cadmium), Pb (indicating lead), or Hg (indicating mercury). For proper recycling, please return the battery to your supplier or send it to a designated

collection point. For more information, visit www.recyclethis.info.

User information on the disposal of electrical and electronic devices (private households)



2012/19/EU (WEEE directive): Products marked with this symbol cannot be disposed of as unsorted municipal waste in the European Union. For proper recycling, return this product to your local supplier upon the purchase of equivalent new equipment, or dispose of it at designated collection points. For more information see: www.recyclethis.info.

For business customers within the European Union

Please contact your dealer or supplier regarding the disposal of electrical and electronic devices. He will provide you with further information.

Information on disposal in other countries outside of the European Union

This symbol is only applicable in the European Union. Please contact your local authority or dealer if you wish to dispose of this product and ask for a disposal option.

Intended use

The device is intended for displaying heat signatures during nature observation, remote hunting observations and for civil use. This device is not a toy for children.

Use the device only as described in this operating manual. The manufacturer and the dealer accept no

liability for damages which arise due to non-intended or incorrect use.

Function test

- Before use, please ensure that your thermal imaging monocular has no visible damage.
- Test to see if the thermal imaging monocular displays a clear, undisturbed image.
- Check that the settings for the thermal imaging monocular are correct.

Installing/removing the battery

The AFFO series thermal imaging monocular is equipped with a battery pack. It cannot be removed.

| Legal and Regulatory Information

Wireless transmitter module frequency range:

WLAN: 2.412-2.472GHz (For EU)

Wireless transmitter module power < 20dBm (only for EU)

CE We hereby declare that the radio equipment AFFO series is in compliance with the Directives 2014/53/EU and 2011/65/EU.

Regulatory information USA

FCC ID: 2AYGT-2J-00

Labeling requirements

This device complies with part 15 of the FCC Rules.

Operation is subject to the following two conditions: (1)

This device may not cause harmful interference, and (2) this device must accept any interference received, including interference that may cause undesired operation.

Information to the user

Any Changes or modifications not expressly approved by the party responsible for compliance could void the user's authority to operate the equipment.

EMC: Class A

Note: This equipment has been tested and found to comply with the limits for a Class A digital device, pursuant to part 15 of the FCC Rules. These limits are designed to provide reasonable protection against harmful interference when the equipment is operated in a commercial environment. This equipment generates, uses, and can radiate radio frequency energy and, if not installed and used in accordance with the instruction manual, may cause harmful interference to radio communications. Operation of this equipment in a residential area is likely to cause harmful interference in which case the user will be required to correct the interference at his own expense.

To comply with RF exposure requirements, a minimum separation distance of 0.00 cm must be maintained between the user's body and the handset, including the antenna.

Lieferumfang

- AFFO-Serie Wärmebild-Monokularfernrohr
- Halsband
- Handgelenkband
- Kordelzugtasche
- Typ-C-Datenkabel
- Linsenreinigungstuch
- Schnellstartanleitung



AFFO-Serie



Schnellstartanleitung



Halsband



Handgelenkband



Linsenreinigungstuch

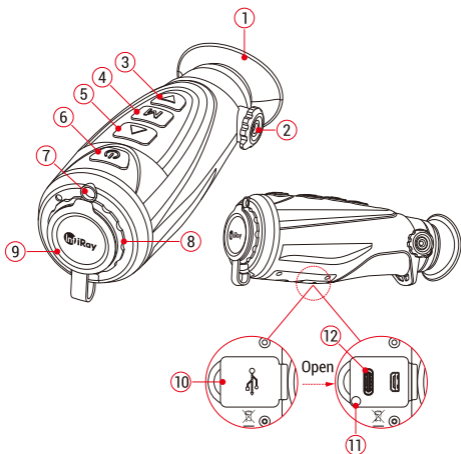


USB-Kabel



Kordelzugtasche

Komponenten und Bedienelemente



1. Augenschirm

2. Dioptrieneinstellung

3. Nach unten

4. Menütaste(M)

5. Nach oben

6. Ein/Aus-Taste

7. LED-Licht

8. Objektivlinse

9. Linseabdeckung

10. USB-Gummikappe

11. Betriebsanzeige

12. Typ C-Anschluss

Bereit zum Start

- Öffnen Sie die Linseabdeckung **(9)**.
- **Einschalten:** Halten Sie die **Ein/Aus-Taste (6)** 2 Sekunden lang gedrückt, um das Wärmebild-Monokularfernrohr einzuschalten.
- Wenn das Infrarotbild im Okular angezeigt wird, wechselt das Wärmebild-Monokularfernrohr in den Betriebszustand.
- Drehen Sie den Dioptrieneinstellungsknopf **(2)**, um die Auflösung des Icons auf dem Display einzustellen. Der Dioptrieneinstellungsknopf wird zur Einstellung der Dioptrien des Okulars für Benutzer mit unterschiedlichem Myopiegrad verwendet.
- **Bildmodus einstellen:** Drücken Sie im Hauptmenü einfach die Taste **Nach oben (5)**, um den Bildpalettenmodus einzustellen. Es stehen fünf Modi zur Auswahl: Weißglühend (☀️), Schwarzglühend (☾), Rotglühend (🔥), Pseudofarbe (🇺🇦), und Target-Highlights (🐦). Die Icons in der oberen Statusleiste werden in Echtzeit aktualisiert.
- **Anzeigeelligkeit einstellen:** Wählen Sie im Hauptmenü die Option Anzeigeelligkeit, um die Helligkeitsstufe der Anzeige von Stufe 1 bis Stufe 5 einzustellen.
- **Digitalzoom:** Drücken Sie auf dem Hauptbildschirm kurz die Taste **M (4)**, um den Digitalzoom einzustellen.
- **Fotografieren:** Drücken Sie kurz die Taste **Nach Unten**



(3) auf dem Hauptbildschirm, um ein Bild aufzunehmen.

- **Videoaufnahme:** Drücken Sie lange die Taste **Nach Unten (3)** auf dem Hauptbildschirm, um die Aufnahmefunktion zu aktivieren.
- **Ausschalten:** Nachdem Sie das Gerät verwendet haben, halten Sie die **Ein/Aus-Taste (6)** 3 Sekunden lang gedrückt, um die Countdown-Oberfläche zum Ausschalten aufzurufen. Wenn das Countdown-Icon auf 0 wechselt, lassen Sie die Taste los. Nach dem Speichern des aktuellen Zustands wird der Bildschirm schwarz und das Gerät ausgeschaltet. **Trennen Sie beim Speichern von Daten nicht die Stromversorgung, da die Daten sonst nicht gespeichert werden.**
- **Standby:** Drücken Sie auf dem Hauptbildschirm kurz die **Ein/Aus-Taste (6)**, das Gerät befindet sich im Standby-Modus. Drücken Sie die **Ein/Aus-Taste (6)** erneut, um das Gerät aufzuwecken.

Hauptmenü-Funktion

- Drücken Sie **lange** die Taste **M (4)** auf dem Hauptbildschirm, um die Menüschnittstelle aufzurufen.
- Drücken Sie **kurz** die Taste **Nach Oben (5) / Nach Unten (3)**, um die Hauptmenüoptionen zu wechseln.
- Die Navigation im Hauptmenü ist zyklisch: wenn die letzte Menüoption des ersten TAB erreicht ist, wird die erste Menüoption des zweiten TAB aktiviert.
- Stellen Sie den **aktuellen** Parameter ein oder drücken Sie **kurz** die Taste **M (4)**, um das Untermenü aufzurufen.
- Die Tastenbedienung im Untermenü ist die **gleiche** wie oben, d. h. verwenden Sie die Taste **Nach Oben (5) / Nach Unten (3)**, um die Optionen zu wechseln, und drücken Sie die Taste **M (4)**, um zu bestätigen und zum vorherigen Menü zurückzukehren.
- Drücken Sie in **allen** Menüschnittstellen **kurz** die **Ein/Aus-Taste (6)**, um zur vorherigen Menüschnittstelle zurückzukehren.
- Das automatische Verlassen des Hauptmenüs zum Hauptbildschirm erfolgt nach 15 Sekunden **Inaktivität**.


Tastenbedienung



Taste	Aktueller Status	Kurz drücken	Lang drücken
	Ausschalten	--	Gerät einschalten
Ein/Aus-Taste 	Hauptbildschirm	Gerät auf Standby schalten	Gerät ausschalten
	Standby-Modus	Gerät aufwecken	--
	Hauptmenü-Schnittstelle	Zurück zum Startbildschirm ohne Speicherung	Gerät ausschalten
Nach Oben 	Hauptbildschirm	Bildmodus umschalten	--
	Hauptmenü-Schnittstelle	Menüoption nach oben scrollen	--
	Ausschalten	--	Drücken Sie lange , um das LED-Licht einzuschalten, lassen Sie die Taste los , um das LED-Licht auszuschalten
	Hauptbildschirm	Digitalzoom	Hauptmenü-Schnittstelle aufrufen
M-Taste M	Hauptmenü-Schnittstelle	Untermenü aufrufen / Auswahl bestätigen	Speichern und zum Startbildschirm zurückkehren

Taste	Aktueller Status	Kurz drücken	Lang drücken
	Hauptbildschirm	Bild aufnehmen	Videoaufnahme starten
Nach Unten ▼	Hauptmenü-Schnittstelle	Menüoption nach unten scrollen	--
	Videoaufnahme	Bild aufnehmen	Stoppen und Videoaufnahme speichern
Oben + M Tasten ▲ + M	Hauptbildschirm	--	Sichtlinien-Entfernungsfunktion ein/ausschalten
Oben + Unten Tasten ▲ + ▼	Hauptbildschirm	--	Hotspot-Tracking ein-/ausschalten
M + Unten Tasten M + ▼	Hauptbildschirm	--	Sensor Kalibrieren

Aufladen

Die AFFO-Serie ist mit einem eingebauten wiederaufladbaren Li-ion-Akku ausgestattet, der bis zu 9,5 Stunden Betrieb ermöglicht. Bei der ersten Verwendung laden Sie das Gerät bitte zuerst vollständig auf.

- Öffnen Sie die USB-Gummikappe **(10)** auf der Unterseite des Geräts.
- Verbinden Sie den Typ-C-Stecker des Datenkabels mit dem Typ-C-Anschluss **(12)** des Geräts.
- Verbinden Sie den anderen Anschluss des Datenkabels mit dem Netzteil-Adapter.
- Stecken Sie den Adaptersstecker in die 110-240V-Steckdose.
- Wenn das Gerät aufgeladen wird, leuchtet die Betriebsanzeige **(11)** neben dem Typ-C-Anschluss **(12)** rot. Die Betriebsanzeige **(11)** leuchtet nur beim Laden. Das Gerät ist vollständig aufgeladen, wenn die Betriebsanzeige **(11)** grün leuchtet. Die Betriebsanzeige **(11)** blinkt abwechselnd rot und grün und zeigt damit an, dass der Akku nicht geladen wird oder die Temperatur zu hoch oder zu niedrig ist.
- Während des Ladevorgangs erscheint ein beleuchtetes Icon  innerhalb des Batterieicons auf dem Bildschirm. Das beleuchtete Icon verschwinden erst, wenn das Datenkabel abgezogen oder die Stromversorgung unterbrochen wird.

- Der Ladevorgang ist abgeschlossen, wenn das Innere des Batterieicons auf dem Bildschirm vollständig grün ist  .
- Wenn das Batterieicon während des Gebrauchs rot wird  , bedeutet dies, dass die Batterie schwach ist. Bitte laden Sie das Gerät rechtzeitig auf, um Datenverlust zu vermeiden.

Spezifikationen

Modul	AP09	AP13	AL19	AL25
Mikrobolometer				
Auflösung, Pixel	256 × 192		384 × 288	
Pixelgröße, µm	12			
NETD, mk	≤ 40			
Bildrate, Hz	25		50	
Optische Spezifikationen				
Objektivlinse, mm	9	13	19	25
Sichtfeld, °	19,4×12,2	13,5×8,4	13,8×8,7	10,5×6,6
Lineares Sichtfeld (H×V), m bei 100m	34,1×21,3	23,6×14,8	24,3×15,2	18,4×1,5
Vergrößerung, ×	1,3	2,0	2,0	2,5
Digitalzoom, ×	1/2		1/2/4	
Dioptrien, D	-7 ~ +2			
Abstand der Austrittspupille, mm	20			
Durchmesser der Austrittspupille, mm	5			
Detektionsbereich , m (Zielgröße: 1,7m×0,5m, P(n)=99%)	460	670	980	1300

Modul	AP09	AP13	AL19	AL25
Display				
Typ	AMOLED			
Auflösung, pixels	640 × 400			
Stromversorgung				
Batterietyp / Kapazität / Ausgangsspannung	Li-ion battery pack / 3,6Ah / 3,6 V			
Max. Batterielebensdauer (t=25°C)*, h	9,5		7,5	
Externe Stromversorgung	5V (Typ C)			
Physikalische Spezifikationen				
Eingebaute Speichergröße, GB	8			
IP-Bewertung	IP67			
Wi-Fi / APP	Unterstützt (InfiRay Outdoor)			
Betriebstemperatur, °C	-20 ~ +50			
Abmessung, mm	160 × 60 × 60	169 × 60 × 60		
Gewicht, g	≤ 340	≤ 350		

- * Die tatsächliche Betriebszeit hängt von der Wi-Fi-Nutzungsichte und der eingebauten Kamera ab.
- Verbesserungen am Design und an der Software zur Verbesserung der Funktionalität dieses Produkts können ohne vorherige Benachrichtigung der Kunden vorgenommen werden.

| Update and InfiRay Outdoor

Um die Produktleistung kontinuierlich zu verbessern und ein besseres Benutzererlebnis zu bieten, werden die Softwareprogramme, Parameter und Bedienungsanleitungen der Geräte kontinuierlich aktualisiert. Benutzer können sie auf der offiziellen Website (www.infirayoutdoor.com) herunterladen und aktualisieren.

Die AFFO-Serie Wärmebild-Monokularfernrohr unterstützt die APP-Technologie, die über Wi-Fi mit einem Smartphone oder Tablet verbunden werden kann, um Echtzeit-Bildübertragung, Steuervorgänge und Programmaktualisierungen zu realisieren.

Sie können die **InfiRay Outdoor** APP auf der offiziellen Website (www.infirayoutdoor.com) oder im APP Store herunterladen und installieren. Sie können die APP auch herunterladen, indem Sie den QR-Code unten scannen.



| Wichtige Sicherheitshinweise

Umwelteinflüsse

- Richten Sie die Linse des Geräts niemals direkt auf eine starke Wärmequelle, wie z. B. die Sonne oder ein Lasergerät. Das Objektiv und das Okular können wie Brennglas wirken und interne Komponenten beschädigen.
- Vermeiden Sie es, Metalloberflächen (Kühlkörper) zu berühren, nachdem es Sonnenlicht oder Kälte ausgesetzt war.

Ergonomische Hinweise

Ruhen Sie sich nach längerem Gebrauch aus, um Schmerzen im Handgelenk zu vermeiden.

Gefahr des Verschluckens

Geben Sie dieses Gerät nicht in die Hände von kleinen Kindern. Bei unsachgemäßer Handhabung können sich Kleinteile lösen und möglicherweise verschluckt werden.

Sicherheitshinweise für den Gebrauch

- Vorsichtig handhaben: Grobe Handhabung kann die interne Batterie beschädigen.
- Setzen Sie das Gerät keinem Feuer oder hohen Temperaturen aus.
- Zerlegen Sie das Gerät nicht, um den Akku zu bekommen. Der Akku kann nicht vom Endverbraucher ausgetauscht werden.
- Wenn die Umgebungstemperatur niedrig ist, nimmt die Batteriekapazität ab. Dies ist keine Fehlfunktion,

sondern ein technischer Grund.

- Die empfohlene Betriebstemperatur für die Verwendung dieses Produkts beträgt $-20\text{ °C} \sim +50\text{ °C}$. Temperaturen außerhalb dieses Bereichs beeinträchtigen die Lebensdauer des Produkts.
- Lagern Sie das Gerät nicht über einen längeren Zeitraum bei Temperaturen unter -20 °C oder über $+50\text{ °C}$, da dies die Kapazität der Batterie dauerhaft verringert.
- Lagern Sie das Gerät immer an einem trockenen, gut belüfteten Ort.
- Wenn das Gerät beschädigt oder der Akku defekt ist, senden Sie das Gerät bitte zur Reparatur an unser Kundendienstzentrum.
- Bevor Sie dieses Produkt in einer Wasserumgebung verwenden, stellen Sie sicher, dass die Abdeckung für Typ C fest geschlossen ist.

Sicherheitshinweise für Stromversorgungsgeräte

- Untersuchen Sie Stromversorgungsgerät, Kabel und Adapter vor Gebrauch auf offensichtliche Schäden.
- Verwenden Sie keine defekten Teile. Defekte Teile müssen ersetzt werden.
- Verwenden Sie das Stromversorgungsgerät nicht in nasser oder feuchter Umgebung.
- Laden Sie das Gerät nur bei einer Temperatur zwischen 0 °C und 50 °C auf.
- Nehmen Sie keine technischen Veränderungen vor.

Entsorgung von Batterien



Richtlinie 2006/66/EG (Batterierichtlinie): Dieses Produkt enthält eine Batterie, die in der Europäischen Union nicht als unsortierter

Siedlungsabfall entsorgt werden darf. Weitere Informationen zur Batterie finden Sie in der Dokumentation des jeweiligen Produkts. Die Batterie ist mit diesem Symbol gekennzeichnet und kann Cd (für Cadmium), Pb (für Blei) oder Hg (für Quecksilber) enthalten. Für ein ordnungsgemäßes Recycling geben Sie die Batterie bitte an Ihren Händler zurück oder bringen Sie sie zu einer ausgewiesenen Sammelstelle. Weitere Informationen finden Sie unter www.recyclethis.info.

Nutzungsdaten von Elektro- und Elektronik-Altgeräten (Privathaushalte)



2012/19/EU (WEEE-Richtlinie): Produkte, die mit diesem Symbol gekennzeichnet sind, dürfen in der Europäischen Union nicht als unsortierter Siedlungsabfall entsorgt werden.

Für ein ordnungsgemäßes Recycling geben Sie dieses Produkt bitte beim Kauf eines neuen gleichartigen Produkts an Ihren örtlichen Händler zurück oder bringen Sie es zu einer ausgewiesenen Sammelstelle. Weitere Informationen finden Sie unter www.recyclethis.info.

Für Geschäftskunden innerhalb der Europäischen Union

Für die Entsorgung von Elektro- und Elektronikgeräten wenden Sie sich bitte an Ihren Händler oder Lieferanten. Er wird Ihnen weitere Informationen anbieten.

Informationen zur Entsorgung in anderen Ländern außerhalb der Europäischen Union

Dieses Zeichen ist nur in der Europäischen Union gültig. Wenn Sie dieses Produkt entsorgen möchten, wenden Sie sich bitte an Ihre örtliche Behörde oder Ihren Händler und erkundigen Sie sich nach Entsorgungsmöglichkeiten.

Verwendungszweck

Das Gerät wurde entwickelt, um Wärmesignaturen bei der natürlichen Beobachtung, der Fernjagdbeobachtung und der zivilen Nutzung anzuzeigen. Dieses Gerät ist kein Kinderspielzeug.

Verwenden Sie das Gerät nur gemäß den Anweisungen in dieser Bedienungsanleitung. Hersteller und Vertreiber haften nicht für Schäden, die durch nicht bestimmungsgemäße oder falsche Verwendung entstehen.

Funktionstest

- Stellen Sie vor der Verwendung sicher, dass Ihre Wärmebildkamera keine sichtbaren Schäden aufweist.
- Testen Sie, ob die Wärmebildkamera ein klares, ungestörtes Bild anzeigt.
- Überprüfen Sie, ob die Wärmebildkamera korrekt eingestellt ist.

Batterie ein-/ausbauen

Das Wärmebildmonokular der AFFO -Serie ist mit einem Batteriepack ausgestattet. Sie kann nicht entfernt werden.

Rechtliche und regulatorische Informationen

Frequenzbereich des drahtlosen Sendemoduls:

WLAN: 2,412-2,472 GHz

Leistung des drahtlosen Sendemoduls <20 dBm

CE Wir erklären hiermit, dass die Funkgeräte der AFFO -Serie den Richtlinien 2014/53/EU und 2011/65/EU .

Regulatorische Informationen USA

FCC ID: 2AYGT-2J-00

Anforderungen an dem Etikett

Dieses Gerät entspricht Teil 15 der FCC-Bestimmungen.

Der Betrieb unterliegt den folgenden zwei Bedingungen:

(1) Dieses Gerät darf keine schädlichen Interferenzen verursachen und (2) dieses Gerät muss alle empfangenen Interferenzen akzeptieren, einschließlich Interferenzen, die einen unerwünschten Betrieb verursachen können.

Informationen für den Benutzer

Jegliche Änderungen oder Modifikationen, die nicht ausdrücklich von der für die Konformität verantwortlichen Partei genehmigt wurden, können die Berechtigung des Benutzers zum Betrieb des Geräts aufheben.

EMV: Klasse A

Hinweis: Dieses Gerät wurde getestet und entspricht den Grenzwerten für ein digitales Gerät der Klasse A gemäß

Teil 15 der FCC-Bestimmungen. Diese Grenzwerte sollen einen angemessenen Schutz gegen schädliche Störungen bieten, wenn das Gerät in einer kommerziellen Umgebung betrieben wird. Dieses Gerät erzeugt und verwendet Hochfrequenzenergie und kann diese ausstrahlen. Wenn es nicht in Übereinstimmung mit der Bedienungsanleitung installiert und verwendet wird, kann es schädliche Störungen des Funkverkehrs verursachen. Der Betrieb dieses Geräts in einer Wohngegend kann schädliche Störungen verursachen, in diesem Fall ist der Benutzer verpflichtet, die Störungen auf eigene Kosten zu beheben.

Um die HF-Expositionsanforderungen zu erfüllen, muss der Mindestabstand zwischen dem Körper des Benutzers und dem Handgerät, einschließlich der Antenne, 0,00 cm betragen.

Contenuti della confezione

- Monocolo per immagini termiche della serie AFFO
- Cinghia da collo
- Cinghia da polso
- Borsa con coulisse
- Cavo dati di Tipo-C
- Panno di pulizia per lente
- Guida di avvio rapido



Serie AFFO



Guida di avvio rapido



Cinghia da collo



Cinghia da polso



Panno per lenti

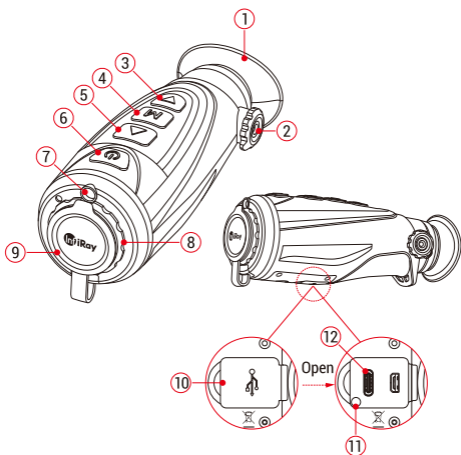


Cavo USB



Borsa con coulisse

Componenti e controlli



- | | |
|------------------------------|---------------------------------|
| 1. Paraluce | 7. Luce LED |
| 2. Regolazione Diottrica | 8. Lente dell'obiettivo |
| 3. Pulsante giù | 9. Copriobiettivo |
| 4. Pulsante menu (M) | 10. Tappo in gomma di USB |
| 5. Pulsante su | 11. Indicatore di alimentazione |
| 6. Pulsante di alimentazione | 12. Porta tipo C |

Per iniziare



- Aprire il copriobiettivo (9).
- **Accensione:** Premere e tenere premuto il pulsante di **Alimentazione (6)** per 2 secondi per accendere il monocolo per immagini termiche.
- Quando nell'oculare viene visualizzata un'immagine a infrarossi, il dispositivo entra nello stato di funzionamento.
- Ruotare la manopola di regolazione diottrica (2) per regolare la risoluzione dell'icona sullo schermo. La manopola di regolazione diottrica viene utilizzata per regolare la diottria dell'oculare per utenti con diversi gradi di miopia.
- **Impostazione della modalità immagine:** Premere brevemente il pulsante **Su (5)** per impostare la modalità di tavolozza dell'immagine. Ci sono cinque modalità da selezionare: bianco caldo (☀️), nero caldo (☾), rosso caldo (🔥), pseudo colore (🇪🇺) e evidenziazione bersaglio (🐦). L'icona sulla barra di stato in alto viene aggiornata in tempo reale.
- **Impostazione della luminosità del display:** Nel menu principale, selezionare l'opzione di luminosità del display per impostare il livello di luminosità del display dal livello 1 al livello 5.
- **Zoom Digitale:** Sullo schermo iniziale, premere brevemente il pulsante **M (4)** per impostare lo zoom digitale.

- **Fotografia:** Sullo schermo iniziale, premere brevemente il pulsante **Giù (3)** per scattare una foto.
- **Registrazione video:** Sullo schermo iniziale, premere e tenere premuto il pulsante **Giù (3)** per avviare la funzione di registrazione video.
- **Spegnimento:** Dopo aver utilizzato il dispositivo, premere e tenere premuto il pulsante di **Alimentazione (6)** per 3 secondi per accedere all'interfaccia di spegnimento con un conto alla rovescia per lo spegnimento. Quando l'icona del conto alla rovescia arriva a 0, rilasciare il pulsante. Dopo che lo stato attuale è stato salvato, il display diventa nero e il dispositivo si spegne. **Durante il salvataggio dei dati, non scollegarlo dalla fonte di alimentazione, altrimenti i dati non possono essere salvati.**
- **Attesa:** Premere brevemente il pulsante di **Alimentazione (6)** sullo schermo iniziale per mettere il dispositivo in attesa. E premere di nuovo il pulsante di **Alimentazione (6)** per riattivare il dispositivo.

Funzione del menu principale

- Sullo schermo iniziale, premere e tenere premuto il pulsante **M (4)** per accedere all'interfaccia del menu.
- Premere brevemente il pulsante **Su (5) / Giù (3)** per passare da un'opzione del menu principale all'altra.
- La navigazione del menu principale è ciclica: non appena si raggiunge l'ultima voce del menu della prima scheda, si avvia la prima voce del menu della seconda scheda.
- Regolare i parametri attuali o accedere al menu secondario premendo brevemente il pulsante **M (4)**.
- Il funzionamento dei pulsanti sui menu secondari è lo stesso come sopra, ovvero passare da un'opzione all'altra con il pulsante **Su (5) / Giù (3)** e premere il pulsante **M (4)** per confermare l'opzione e tornare al menu superiore.
- Premere brevemente il pulsante di **Alimentazione (6)** in tutte le interfacce di menu per tornare all'interfaccia del menu superiore.
- Si uscirà automaticamente dal menu principale allo schermo iniziale dopo 15 secondi di inattività.


Funzionamento dei pulsanti

Pulsante	Stato attuale	Breve pressione	Lunga pressione
Pulsante di alimentazione 	Spento	--	Accendere il dispositivo
	Schermo iniziale	Mettere il dispositivo in attesa	Spegnere il dispositivo
	Modalità di attesa	Riattivare il dispositivo	--
	Interfaccia del menu	Tornare allo schermo iniziale senza salvare	Spegnere il dispositivo
Pulsante su 	Schermo iniziale	Cambiare la modalità immagine	--
	Interfaccia del menu	Scorrere verso l'alto le opzioni di menu	--
	Spento	--	Tenere premuto per accendere l'indicatore LED e rilasciare il pulsante per spegnere l'indicatore LED
Pulsante del menu M	Schermo iniziale	Zoom digitale	Accedere al menu principale
	Interfaccia principale	Accedere al menu secondario / Confermare la selezione	Salvare e tornare allo schermo iniziale


Pulsante	Stato attuale	Breve pressione	Lunga pressione
	Schermo iniziale	Scattare una foto	Avviare la registrazione video
Pulsante giù ▼	Interfaccia del menu principale	Scorrere verso il basso le opzioni di menu	--
	Registrazion e video	Scattare una foto	Arrestare e salvare la registrazione video
Pulsante Su + M ▲+M	Schermo iniziale	--	Attivare/disattivare la funzione di distanziometro stadiametrico
Pulsante Su + Giù ▲+▼	Schermo iniziale	--	Attivare/disattivare il tracciamento dei punti caldi
Кнопки М + вниз M+▼	Schermo iniziale	--	Calibrare il sensore

Ricarica

La serie AFFO viene fornita con un pacco batteria ricaricabile agli ioni di litio integrato, che consente un funzionamento fino a 9,5 ore. Quando si utilizza il dispositivo per la prima volta, caricarlo prima completamente.

- Aprire il tappo in gomma di USB **(10)** sul fondo del dispositivo.
- Collegare la spina di tipo C del cavo dati alla porta Tipo C **(12)** sul dispositivo.
- Collegare un'altra porta del cavo dati all'adattatore di alimentazione.
- Inserire la spina dell'adattatore nella presa 110-240 V.
- Quando il dispositivo è in carica, l'indicatore di alimentazione **(11)** accanto alla porta Tipo C **(12)** è rosso. L'indicatore di alimentazione **(11)** è acceso solo nello stato di carica. Quando l'indicatore di alimentazione **(11)** diventa verde, il dispositivo è completamente carico. Quando l'indicatore di alimentazione **(11)** lampeggia alternativamente in rosso e verde, indica che la batteria non è in carica o che la temperatura è troppo alta o troppo bassa.
- Durante la ricarica, all'interno dell'icona della batteria sul display apparirà un'icona di fulmine (). L'icona di fulmine non scompare finché il cavo dati non viene rimosso o non viene interrotta l'alimentazione.
- La carica è terminata quando l'interno dell'icona della

batteria sul display è completamente verde  .

- Durante l'uso, quando l'icona della batteria diventa rossa  , significa che il livello di carica è basso. Si prega di caricare il dispositivo in tempo per evitare la perdita di dati.

Specifiche

Modello	AP09	AP13	AL19	AL25
Microbolometro				
Risoluzione, pixel	256 × 192		384 × 288	
Dimensione del Pixel, μm	12			
NETD, mk	≤ 40			
Frequenza dei fotogrammi, Hz	25		50	
Specifiche ottiche				
Lente dell'obiettivo, mm	9	13	19	25
Campo visivo, $^{\circ}$	19,4×12,2	13,5×8,4	13,8×8,7	10,5×6,6
Campo visivo lineare (H × V), m a 100 m	34,1×21,3	23,6×14,8	24,3×15,2	18,4×11,5
Ingrandimento, ×	1,3	2,0	2,0	2,5
Zoom digitale, ×	1/2		1/2/4	
Diotria, D	-7 ~ +2			
Distanza interoculare, mm	20			
Diametro della Pupilla d'uscita, mm	5			
Campo di Rilevamento, m (Dimensione del bersaglio: 1,7 m × 0,5 m, P(n) = 99%)	460	670	980	1300

Modello	AP09	AP13	AL19	AL25
Display				
Tipo	AMOLED			
Risoluzione, pixel	640 × 400			
Alimentazione				
Batteria / Capacità / Tensione di uscita	Pacco batteria agli ioni di litio / 3.6Ah / 3.6 V			
Durata della batteria massima (t=25°C)*, h	9,5		7,5	
Alimentazione esterna	5 V (Tipo C)			
Specifiche operative				
Quantità di memoria incorporata, GB	8			
Grado di protezione IP	IP67			
Wi-Fi / APP	Supporta (InfiRay Outdoor)			
Temperatura di Funzionamento, °C	-20 ~ +50			
Dimensione, mm	160 × 60 × 60		169 × 60 × 60	
Peso, g	≤ 340		≤ 350	

* Il tempo di funzionamento effettivo dipende dalla densità di utilizzo del Wi-Fi e dal videoregistratore integrato.

- È possibile che il design e il software di questo prodotto vengano migliorati per migliorarne le caratteristiche senza preavviso ai clienti.

| Aggiornamento e InfiRay Outdoor

Al fine di migliorare continuamente le prestazioni del prodotto e fornire una migliore esperienza utente, il programma software, così come i parametri e le istruzioni operative del dispositivo saranno costantemente aggiornati. Gli utenti possono visitare il sito ufficiale (www.infirayoutdoor.com) per scaricare e aggiornare.

Il monocolo per immagini termiche della serie AFFO supporta la tecnologia APP e può essere collegato a uno smartphone o tablet PC tramite Wi-Fi per la trasmissione di immagini in tempo reale, operazioni di controllo e aggiornamenti del programma.

È possibile scaricare e installare l'APP InfiRay Outdoor sul sito ufficiale (www.infirayoutdoor.com) o nell'APP Store. In alternativa, è possibile scaricare l'APP scansionando il codice QR seguente.



Informazioni importanti sulla sicurezza

Influenze ambientali

- Non puntare mai le lenti del dispositivo direttamente verso fonti di calore intenso, ad esempio, il sole o le apparecchiature laser. La lente dell'obiettivo e l'oculare possono funzionare come uno specchio ustorio e danneggiare i componenti interni.
- Evitare di toccare la superficie metallica (alette di raffreddamento) dopo l'esposizione alla luce solare o al freddo.

Note di ergonomia

Fare delle pause dopo periodi di utilizzo prolungati per evitare il dolore al polso.

Rischio di ingestione

Non mettere il dispositivo nelle mani di bambini piccoli. Un uso non corretto può causare il distacco di piccole parti che possono essere ingerite.

Istruzioni di sicurezza per l'uso

- Il dispositivo deve essere maneggiato con cura: le manovre brusche potrebbero danneggiare la batteria interna.
- Non esporre il dispositivo al fuoco o a temperature alte.
- Non smontare il dispositivo per accedere alla batteria. La batteria non è destinata ad essere sostituita dall'utente finale.
- La capacità della batteria diminuisce quando viene utilizzata a una temperatura ambiente fredda. Questo

non è un difetto e si verifica per motivi tecnici.

- La temperatura consigliata per l'utilizzo di questo prodotto è compresa tra $-20\text{ }^{\circ}\text{C}$ e $+50\text{ }^{\circ}\text{C}$. La temperatura che supera questo intervallo compromette la durata del prodotto.
- Non conservare il dispositivo per lungo periodo a temperature inferiori a $-20\text{ }^{\circ}\text{C}$ o superiori a $50\text{ }^{\circ}\text{C}$, altrimenti la capacità della batteria verrà ridotta in modo permanente.
- Il dispositivo deve essere sempre conservato in uno spazio asciutto e ben ventilato.
- Se il dispositivo è stato danneggiato o la batteria è danneggiata, inviare il dispositivo al nostro servizio post-vendita per la riparazione.
- Prima di utilizzare questo prodotto in un ambiente con acqua, assicurarsi che il coperchio di Tipo C sia saldamente chiuso.

Istruzioni di sicurezza per l'unità di alimentazione

- Prima dell'uso, controllare che l'unità di alimentazione, il cavo e l'adattatore non presentino danni visibili.
- Non utilizzare le parti danneggiate. I componenti danneggiati devono essere sostituiti.
- Non utilizzare l'unità di alimentazione in ambienti bagnati o umidi.
- Caricare il dispositivo solo a temperature comprese tra 0°C e 50°C .
- Non eseguire alcuna modifica tecnica.

Smaltimento delle batterie



Direttiva 2006/66/CE (direttiva sulle batterie):

Questo prodotto contiene una batteria che non può essere smaltita come rifiuti urbani

indifferenziati nell'Unione Europea. Per i dettagli sulla batteria, fare riferimento alla documentazione dello specifico prodotto. La batteria è contrassegnata con questo simbolo, che può includere Cd (che indica il cadmio), Pb (che indica il piombo) o Hg (che indica il mercurio). Per un corretto riciclaggio, si prega di restituire la batteria al proprio fornitore o inviarla a un punto di raccolta designato. Per maggiori informazioni, visitare www.recyclethis.info.

Informazioni per gli utenti sullo smaltimento di dispositivi elettrici ed elettronici (abitazioni private)



2012/19/UE (direttiva WEEE): I prodotti contrassegnati con questo simbolo non possono essere smaltiti come rifiuti urbani

indifferenziati nell'Unione Europea. Per un corretto riciclaggio, si prega di restituire questo prodotto al proprio fornitore locale quando si acquista un nuovo prodotto equivalente o inviarlo a un punto di raccolta designato. Per maggiori informazioni, visitare www.recyclethis.info.

Per i clienti commerciali all'interno dell'Unione Europea

Si prega di contattare il rivenditore o il fornitore per quanto riguarda lo smaltimento di dispositivi elettrici ed elettronici. Ti fornirà ulteriori informazioni.

Informazioni sullo smaltimento in altri Paesi al di fuori dell'Unione Europea

Questo simbolo è applicabile solo nell'Unione Europea. Si prega di contattare l'autorità locale o il rivenditore se si vuole smaltire questo prodotto e chiedere un'opzione di smaltimento.

Uso previsto

Il dispositivo è destinato alla visualizzazione delle firme di calore durante l'osservazione della natura, delle osservazioni di caccia a distanza e per uso civile. Questo dispositivo non è un giocattolo per bambini.

Utilizzare il dispositivo solo come descritto nel presente manuale d'uso. Il produttore e il rivenditore non si assumono alcuna responsabilità per i danni derivanti da un uso non previsto o non corretto.

Test di funzionamento

- Prima dell'utilizzo, si prega di verificare che il monocolo per immagini termiche non presenti danni visibili.
- Testare se il monocolo per immagini termiche mostra un'immagine chiara e non disturbata.
- Controllare che le impostazioni del monocolo per immagini termiche siano corrette.

Installazione/rimozione della batteria

Il monocolo per immagini termiche della serie AFFO è dotato di un pacco batteria. Non può essere rimossa.

Informazioni legali e normative

Campo di frequenza del modulo trasmettitore wireless:
WLAN: 2,412 - 2,472 GHz

Potenza del modulo trasmettitore wireless < 20 dBm

CE Noi con la presente dichiariamo che
apparecchiatura radio della serie AFFO è
conforme alle Direttive 2014/53/UE e 2011/65/UE.

Dichiarazione della FCC

FCC ID: 2AYGT-2J-00

Requisiti di etichettatura

Questo dispositivo è conforme alla parte 15 delle norme FCC. Il funzionamento è soggetto alle seguenti due condizioni: (1) Questo dispositivo non può causare interferenze dannose e (2) questo dispositivo deve accettare qualsiasi interferenza ricevuta, incluse quelle che possono causare un funzionamento indesiderato.

Informazioni per l'utente

Qualsiasi modifica o cambiamento non espressamente approvato dalla parte responsabile della conformità può invalidare l'autorizzazione dell'utente a utilizzare il dispositivo.

CEM: Classe A

Nota: Questa apparecchiatura è stata testata ed è risultata conforme ai limiti per un dispositivo digitale di Classe A, ai sensi della parte 15 delle norme FCC. Questi

I limiti sono progettati per fornire una protezione ragionevole contro interferenze dannose quando l'apparecchiatura viene operata in un ambiente commerciale. Questa apparecchiatura genera usi e può emettere energia in radiofrequenza e, se non installata e utilizzata in conformità al manuale di istruzioni, può causare interferenze dannose alle comunicazioni radio. Il funzionamento di questa apparecchiatura in un'area residenziale rischia di causare interferenze dannose e in tal caso l'utente dovrà correggere l'interferenza a proprie spese.

Per soddisfare i requisiti di esposizione alle radiofrequenze, è necessario mantenere una distanza di separazione minima di 0,00 cm tra il corpo dell'utente e il dispositivo, compresa l'antenna.

Contenu de l'emballage

- Monoculaire d'imagerie thermique de série AFFO
- Sangle de cou
- Dragonne de poignet
- Pochette à cordon
- Câble de données de type-C
- Chiffon de nettoyage de l'objectif
- Guide de démarrage rapide



Séries AFFO

Guide de
démarrage rapide

Sangle de cou



Dragonne de poignet

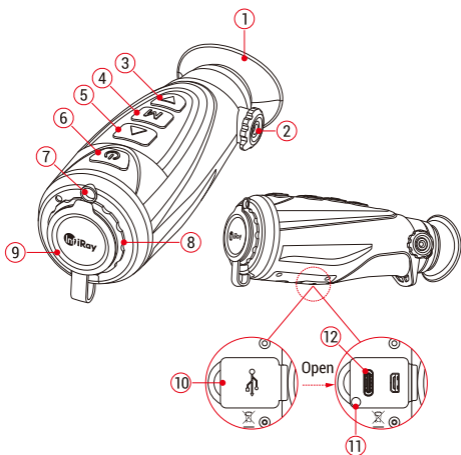


Câble USB

Chiffon de nettoyage
pour l'objectif

Pochette à cordon

Composants et contrôles



- | | |
|------------------------|-----------------------------------|
| 1. Oculaire | 7 lumière LED |
| 2. Réglage dioptrique | 8. Objectif principal |
| 3. Bouton Bas | 9. Capuchon de l'objectif |
| 4. Bouton de Menu (M) | 10. Capuchon en caoutchouc
USB |
| 5. Bouton Haut | 11. Indicateur d'alimentation |
| 6. Bouton Alimentation | 12. Port Type-C |

Démarrage



- Ouvrir le couvercle de l'objectif (9).
- **Mise sous tension** : Allumez le monoculaire d'imagerie thermique en appuyant sur le bouton d'**Alimentation** (6) et en le maintenant enfoncé pendant 2 secondes.
- Lorsqu'une image infrarouge est affichée dans l'oculaire, l'appareil passe en mode de travail.
- Faites pivoter le bouton de réglage dioptrique (2) pour ajuster la résolution de l'icône sur l'écran. Le bouton de réglage dioptrique est utilisé pour ajuster la dioptrie de l'oculaire pour des utilisateurs présentant différents degrés de myopie.
- **Réglage du mode d'image** : Appuyez légèrement sur le bouton **Haut** (5) pour définir le mode de la gamme d'images. Cinq modes peuvent être sélectionnés : blanc chaud (☀️), noir chaud (☾), rouge chaud (🔥), pseudo-couleur (🇺🇸) et surbrillance de la cible (🐦). L'icône de la barre d'état supérieure est mise à l'affichage jour en temps réel.
- **Réglage de la luminosité d'affichage** : Sélectionnez l'option luminosité de l'écran dans le menu principal pour régler le niveau de luminosité de l'écran de 1 à 5.
- **Zoom numérique** : Appuyez légèrement sur le bouton **M** (4) sur l'écran d'accueil pour régler le zoom numérique.
- **Photographie** : Appuyez légèrement sur le bouton **Bas** (3) de l'écran d'accueil pour prendre une photo.

- **Enregistrement vidéo** : Appuyez sur le bouton **Bas (3)** de l'écran d'accueil et maintenez-le enfoncé pour lancer la fonction d'enregistrement vidéo.
- **Mise hors tension** : Après avoir utilisé l'appareil, appuyez sur le bouton d'**Alimentation (6)** et maintenez-le enfoncé pendant 3 secondes pour accéder à l'interface de mise hors tension avec un compte à rebours. Relâchez ensuite le bouton lorsque l'icône du compte à rebours passe à 0. Après la sauvegarde de l'état actuel, l'écran devient noir et l'appareil est mis hors tension. **Au cours de la sauvegarde des données, ne débranchez pas l'appareil de la source d'alimentation, sinon les données ne pourront pas être sauvegardées.**
- **Mise en veille** : Appuyez légèrement sur le bouton d'**Alimentation (6)** de l'écran d'accueil pour mettre l'appareil en veille. Appuyez à nouveau sur le bouton d'**Alimentation (6)** pour redémarrer l'appareil.

| Menu principal

- Appuyez sur le bouton **M (4)** de l'écran d'accueil et maintenez-le enfoncé pour accéder à l'interface du menu.
- Appuyez légèrement sur le bouton **Haut (5) / Bas (3)** pour passer d'une option du menu principal à l'autre.
- La navigation dans le menu principal est cyclique : ce qui signifie que dès que la dernière option du menu du premier onglet est atteinte, la première option du menu du deuxième onglet démarre.
- Réglez les paramètres actuels ou entrez dans le sous-menu en appuyant légèrement sur le bouton **M (4)**.
- Les opérations sur les boutons des sous-menus sont les mêmes que ci-dessus, c'est-à-dire que vous pouvez passer d'une option à l'autre à l'aide des boutons **Haut (5) / Bas (3)**, et appuyer sur le bouton **M (4)** pour confirmer l'option et revenir au menu supérieur.
- Dans toutes les interfaces de menu, une légère pression sur le bouton d'**Alimentation (6)** permet de revenir à l'interface du menu supérieure.
- La sortie automatique du menu principal vers l'écran d'accueil se fait après 15 secondes d'inactivité.


Fonctionnement des boutons



Bouton	Statut actuel	Pression brève	Pression longue
Bouton Alimentation 	Mise hors tension	--	Mise sous tension de l'appareil
	Écran d'accueil	Mise en veille de l'appareil	Mise hors tension de l'appareil
	Mode veille	Réactiver l'appareil	--
	Interface du menu	Retourner à l'écran d'accueil sans enregistrer	Mise hors tension de l'appareil
Bouton Haut 	Écran d'accueil	Changement du mode d'image	--
	Interface du menu	Faire défiler vers le haut l'option de menu	--
	Mise hors tension	--	Maintenez le bouton enfoncé pour allumer l'indicateur LED et relâchez le bouton pour l'éteindre
Bouton de menu M	Écran d'accueil	Zoom numérique	Entrer dans le menu principal
	Interface principale	Entrer dans le sous-menu / Confirmer la sélection	Sauvegarder et revenir à l'écran d'accueil

Bouton	Statut actuel	Pression brève	Pression longue
	Écran d'accueil	Prendre une photo	Démarrer l'enregistrement vidéo
Bouton Bas ▼	Interface du menu principal	Faire défiler vers le bas l'option de menu	--
	Enregistrem ent vidéo	Prendre une photo	Arrêter et sauvegarder l'enregistrement vidéo
Boutons Haut + M ▲+M	Écran d'accueil	--	Activer/désactiver la fonction télémètre stadimétrique
Boutons Haut + Bas ▲+▼	Écran d'accueil	--	Activer/désactiver le suivi des points d'accès
Boutons M + Bas M+▼	Écran d'accueil	--	Calibrer le capteur

Chargement

La série AFFO est fournie avec un pack de batterie Li-ion rechargeable intégrée, qui permet une autonomie allant jusqu'à 9,5 heures. Lors de la première utilisation de l'appareil, veuillez le charger complètement.

- Ouvrez le capuchon en caoutchouc USB (10) situé sous l'appareil.
- Connectez la fiche du câble de Type-C de données au port Type-C (12) de l'appareil.
- Connectez un autre port du câble de données à l'adaptateur secteur.
- Insérez la fiche de l'adaptateur dans la prise 110-240 V.
- Lorsque l'appareil est en cours de chargement, l'indicateur d'alimentation (11) à côté du port Type-C (12) devient rouge. L'indicateur d'alimentation (11) est allumé uniquement lorsque l'appareil est en cours de chargement. Lorsque l'indicateur d'alimentation (11) devient vert, cela signifie que l'appareil est complètement chargé. Lorsque l'indicateur d'alimentation (11) clignote tour à tour en rouge et en vert, cela indique que la batterie n'est pas chargée ou que la température est trop élevée ou trop basse.
- Une icône lumineuse  apparaît à l'intérieur de l'icône de la batterie sur l'écran lorsque celle-ci est en cours de chargement. L'icône lumineuse ne disparaîtra pas tant que le câble de données n'a pas été retiré ou que l'alimentation n'a pas été coupée.

- La charge est terminée lorsque l'intérieur de l'icône de la batterie sur l'écran est complètement vert .
- Pendant l'utilisation, lorsque l'icône de la batterie devient rouge , cela signifie que le niveau d'alimentation est faible, veuillez charger l'appareil à temps pour éviter la perte de données.

Spécifications

Modèle	AP09	AP13	AL19	AL25
Microbolomètre				
Résolution, pixels	256 × 192		384 × 288	
Taille des pixels, μm	12			
NETD, mk	≤ 40			
Fréquence des frames, Hz	25		50	
Spécifications optiques				
Objectif principal, mm	9	13	19	25
Champ de vision, °	19,4×12,2	13,5×8,4	13,8×8,7	10,5×6,6
Champ de vision linéaire (H × V), m à 100m	34,1×21,3	23,6×14,8	24,3×15,2	18,4×11,5
Grossissement, ×	1,3	2,0	2,0	2,5
Zoom numérique, ×	1/2		1/2/4	
Dioptrie, D	-7 ~ +2			
Distanza interoculare, mm	20			
Diamètre de la pupille de sortie, mm	5			
Portée de détection, m (taille de la cible: 1,7 m × 0,5 m, P(n) = 99%)	460	670	980	1300

Modèle	AP09	AP13	AL19	AL25
Écran				
Type	AMOLED			
Résolution, pixels	640 × 400			
Alimentation électrique				
Type de batterie/ Capacité / Tension de sortie	Pack de batterie Li-ion / 3,6Ah / 3,6 V			
Autonomie maximale de la batterie (t=25 °C)*, h	9,5		7,5	
Alimentation électrique externe	5V (Type-C)			
Spécifications de fonctionnement				
Capacité de la mémoire intégrée, Go	8			
Indice IP	IP67			
Wi-Fi / APP	Support (InfiRay Outdoor)			
Température de fonctionnement, °C	-20 ~ +50			
Dimensions, mm	160 × 60 × 60		169 × 60 × 60	
Poids, g	≤ 340		≤ 350	

* La durée effective d'utilisation dépend de la fréquence d'utilisation du Wi-Fi et de l'enregistreur vidéo intégré.

- La conception et le logiciel de ce produit peuvent être améliorés afin d'en accroître les caractéristiques sans que le client n'en soit informé au préalable.

Mise à jour et InfiRay Outdoor

Le programme logiciel, les paramètres et les instructions d'opération de l'appareil seront constamment mis à jour afin d'améliorer en permanence les performances du produit et d'offrir une meilleure expérience à l'utilisateur. Les utilisateurs peuvent se rendre sur le site officiel (www.infirayoutdoor.com) pour télécharger et faire des mises à jour.

Le monoculaire d'imagerie thermique de la série AFFO est compatible avec la technologie APP et peut être connecté à un smartphone ou à une tablette PC via Wi-Fi pour la transmission d'images en temps réel, les opérations de contrôle et les mises à jour du programme.

Vous pouvez télécharger et installer l'application InfiRay Outdoor sur le site officiel (www.infirayoutdoor.com) ou l'APP store. Vous pouvez également télécharger l'application en scannant le code QR suivant.



Informations Importantes Concernant La Sécurité

Influences environnementales

- Ne jamais diriger l'objectif de l'appareil directement vers des sources de chaleur intense telles que le soleil ou un appareil laser. L'objectif principal et l'oculaire peuvent agir comme une loupe et endommager les composants internes.
- Évitez de toucher la surface métallique (ailettes de refroidissement) après une exposition au soleil ou au froid.

Remarques concernant l'ergonomie

Prenez des pauses après de longues périodes d'utilisation pour éviter les douleurs au poignet.

Risque d'ingestion

Ne pas confier cet appareil aux enfants en bas âge. Une manipulation incorrecte peut entraîner le détachement de petites pièces qui pourraient être avalées.

Instructions de sécurité d'utilisation

- Manipulez l'appareil avec précaution : une manipulation brutale peut endommager la batterie interne.
- Ne pas exposer l'appareil au feu ou à des températures élevées.
- Ne pas démonter l'appareil pour accéder à la batterie. La batterie n'est pas destinée à être remplacée par l'utilisateur final.

- La capacité de la batterie diminue lorsqu'elle est utilisée dans un environnement froid. Ce n'est pas un défaut et cela se produit pour des raisons techniques.
- La température recommandée pour l'utilisation de ce produit est de -20 °C à +50 °C. Une température dépassant cette plage affectera la durée de vie du produit.
- Ne pas stocker l'appareil pendant de longues périodes à des températures inférieures à -20 °C ou supérieures à +50 °C, sinon cela réduirait de manière permanente la capacité de la batterie.
- Conservez toujours l'appareil dans un endroit sec et bien ventilé.
- Si l'appareil est endommagé ou si la batterie est défectueuse, envoyez l'appareil à notre service après-vente pour réparation.
- Avant d'utiliser ce produit dans un environnement avec de l'eau, assurez-vous que le cache du connecteur de Type C à gauche de l'appareil est bien fermé.

Informations de sécurité pour le bloc d'alimentation électrique

- Vérifiez le bloc d'alimentation électrique, le câble et l'adaptateur à la recherche de dommages visibles avant l'utilisation.
- N'utilisez pas de pièces défectueuses. Les composants défectueux doivent être remplacés.
- N'utilisez pas le bloc d'alimentation électrique dans des environnements humides.
- Ne chargez l'appareil qu'à des températures comprises

entre 0 °C et 50 °C.

- Ne procédez à aucune modification technique.

Élimination des batteries



Directive 2006/66/CE (directive relative aux batteries) : La batterie contenue dans ce produit ne peut pas être éliminée comme un déchet municipal non trié dans l'UE. Pour plus d'informations sur la batterie, reportez-vous à la documentation du produit spécifique. La batterie marquée de ce symbole peut contenir du Cd (pour le cadmium), du Pb (pour le plomb) ou du Hg (pour le mercure). Pour un recyclage approprié, veuillez renvoyer la batterie à votre fournisseur ou l'apporter à un point de collecte désigné. Pour plus d'informations, veuillez consulter le site www.recyclethis.info.

Informations destinées à l'utilisateur concernant l'élimination des appareils électriques et électroniques (ménages privés)



2012/19/UE (directive DEEE) : Les produits marqués de ce symbole ne peuvent pas être éliminés comme des déchets municipaux non triés dans l'UE. Pour un recyclage approprié, veuillez renvoyer ce produit à votre distributeur local lors de l'achat d'un nouveau produit équivalent, ou apportez-le à un point de collecte désigné. Pour plus d'informations, veuillez consulter le site www.recyclethis.info.

Pour les clients professionnels au sein de l'Union européenne

Veillez contacter votre revendeur ou fournisseur concernant l'élimination des appareils électriques et électroniques. Il vous fournira des informations complémentaires.

Informations sur l'élimination dans d'autres pays en dehors de l'Union européenne

Ce symbole est uniquement applicable dans l'Union européenne. Veillez contacter votre autorité locale ou votre revendeur si vous souhaitez vous débarrasser de ce produit et demander une option d'élimination.

Utilisation prévue

L'appareil est destiné à afficher les signatures thermiques lors de l'observation de la nature, de l'observation à distance pour la chasse et à des fins civiles. Cet appareil n'est pas un jouet pour les enfants.

Utilisez l'appareil uniquement comme décrit dans ce manuel d'utilisation. Le fabricant et le revendeur déclinent toute responsabilité en cas de dommages causés par une utilisation non prévue ou incorrecte.

Test de fonctionnement

- Avant toute utilisation, assurez-vous que votre appareil ne présente aucun dommage visible.
- Faites un test pour voir si l'appareil affiche une image nette et non perturbée.
- Vérifiez que les réglages de l'appareil sont corrects. Voir les notes dans la section

Installation/retrait de la batterie

L'appareil monoculaire thermique de la série AFFO est équipée d'une batterie qui ne peut pas être retirée.

Informations légales et réglementaires

Portée de fréquences du module émetteur sans fil :

WLAN: 2,412 - 2,472 GHz

Puissance du module émetteur sans fil < 20 dBm

CE Nous déclarons par la présente que les équipements radio des séries AFFO sont conformes aux directives 2014/53/UE et 2011/65/UE.

Informations réglementaires aux USA

FCC ID : 2AYGT-2J-00

Exigences en matière d'étiquetage

Cet appareil est conforme à la partie 15 des règlements FCC. Le fonctionnement est soumis aux deux conditions suivantes : (1) Cet appareil ne doit pas causer d'interférences nuisibles, et (2) cet appareil doit tolérer les interférences reçues, y compris celles susceptibles de provoquer un fonctionnement non désiré.

Informations destinées à l'utilisateur

Les changements ou modifications non expressément approuvés par la partie responsable de la conformité pourraient faire perdre à l'utilisateur son droit à utiliser l'appareil.

EMC : Classe A

Note : Cet équipement a été testé et déclaré conforme aux limites d'un appareil numérique de classe A, conformément à la partie 15 des règles de la FCC. Ces limites sont conçues pour fournir une protection raisonnable contre les interférences nuisibles lorsque l'équipement est utilisé dans un environnement commercial. Cet équipement génère, utilise et peut émettre de l'énergie de fréquence radio et, s'il n'est pas installé et utilisé conformément au manuel d'instructions, il peut causer des interférences nuisibles aux communications radio. L'utilisation de l'équipement dans une zone résidentielle peut provoquer des interférences nuisibles, auquel cas l'utilisateur devra éliminer les interférences à ses propres frais.

Pour respecter les exigences en matière d'exposition aux radiofréquences, une distance minimale de 0,00 cm doit être maintenue entre le corps de l'utilisateur et le combiné, y compris l'antenne.

Contenido del Paquete

- Monocular de Imagen Térmica de la Serie AFFO
- Correa de cuello
- Correa de la muñeca
- Bolsa de cordón
- Cable de datos de tipo C
- Tela de limpieza de la lente
- Guía de Inicio Rápido



Serie AFFO



Guía de Inicio Rápido



Correa de cuello



Correa de la Muñeca



Tela de la lente

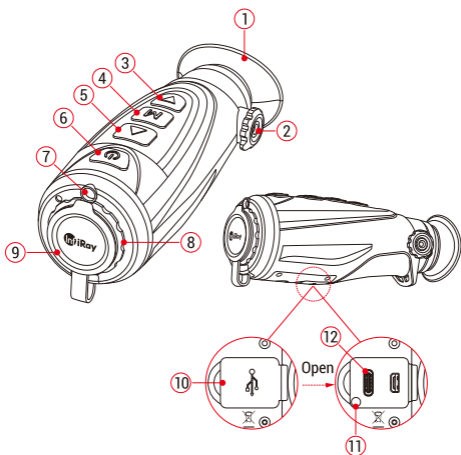


Cable USB



Bolsa de Cordón

Componentes y Controles



1. Visor

2. Ajuste de dioptrías

3. Botón abajo

4. Botón menú (M)

5. Botón arriba

6. Botón de encendido

7. Luz LED

8. Lente de objetivo

9. Cubierta de la lente

10. Tapa de goma USB

11. Indicador de alimentación

12. Puerto de tipo C

Para Empezar

- Abra la cubierta de la lente (9).
- **Encendido:** Mantenga pulsado el botón **Encendido (6)** durante 2 segundos para encender el monocular de imagen térmica.
- Cuando se muestra una imagen infrarroja en el ocular, el dispositivo entra en el estado de trabajo.
- Gire la perilla de ajuste de dioptrías (2) para ajustar la resolución del icono en la pantalla. La perilla de ajuste de la dioptría se utiliza para ajustar la dioptría del ocular para usuarios con diferentes grados de miopía.
- **Ajuste del modo de imagen:** pulse brevemente el botón **Arriba (5)** para configurar el modo de paleta de imágenes. Hay cinco modos de selección: blanco caliente (☀), negro caliente (☾), rojo caliente (🔥), pseudo color (🇪🇸) y destacado de destino (🐦). El icono en la barra de estado superior se actualiza en tiempo real.
- **Ajuste del brillo de la pantalla:** En el menú principal, seleccione la opción de brillo de la pantalla para establecer el nivel de brillo de la pantalla de nivel 1 a nivel 5.
- **Zoom Digital:** En la pantalla de inicio, pulse brevemente el botón **M (4)** para configurar el zoom digital.
- **Fotografía:** En la pantalla de inicio, pulse brevemente el botón **Abajo (3)** para tomar una foto.
- **Grabación de Vídeo:** En la pantalla de inicio, mantenga pulsado el botón **Abajo (3)** para iniciar la función de



grabación de vídeo.

- **Apagado:** Después de usar el dispositivo, mantenga pulsado el botón de **Encendido (6)** durante 3 segundos para entrar en la interfaz de apagado con una cuenta regresiva de apagado. Cuando el icono de la cuenta regresiva pase a 0, suelte el botón. Después de guardar el estado actual, la pantalla se vuelve negra y el dispositivo se apaga. **Durante el almacenamiento de datos, no lo desconecte de la fuente de alimentación, de lo contrario, los datos no se pueden guardar.**
- **Espera:** En la pantalla de inicio, pulse brevemente el botón de **Encendido (6)** para esperar al dispositivo. Vuelva a pulsar el botón de **Encendido (6)** para activar el dispositivo.

Función del Menú Principal

- En la pantalla de inicio, mantenga pulsado el botón **M (4)** para acceder a la interfaz del menú.
- Pulse brevemente el botón **Arriba (5) / Abajo (3)** para cambiar entre las opciones del menú principal.
- La navegación del menú principal es cíclica: tan pronto como se alcance la última opción de menú de la primera pestaña, se iniciará la primera opción de menú de la segunda pestaña.
- Ajuste los parámetros actuales o entre en el submenú pulsando brevemente el botón **M (4)**.
- Las operaciones del botón en los submenús son las mismas que las anteriores, es decir, cambie entre las opciones con el botón **Arriba (5) / Abajo (3)**, y pulse el botón **M (4)** para confirmar la opción y regrese al menú superior.
- En todas las interfaces de menú, pulse brevemente el botón de **Encendido (6)** para volver a la interfaz de menú superior.
- La salida automática del menú principal a la pantalla de inicio se producirá después de 15 segundos de inactividad.


Funcionamiento del Botón



Botón	Estado actual	Pulsar brevemente	Mantener pulsado
Botón de encendido 	Apagado	--	Encender el dispositivo
	Pantalla de inicio	Esperar el dispositivo	Apagar el dispositivo
	Modo de espera	Despertar el dispositivo	--
	Interfaz del menú	Regresar a la pantalla de inicio sin guardar	Apagar el dispositivo
Botón arriba 	Pantalla de inicio	Cambiar el modo de imagen	--
	Interfaz del menú	Desplazar hacia arriba la opción de menú	--
	Apagado	--	Siga presionando para encender el indicador LED y suelte el botón para apagar el indicador LED
Botón menú M	Pantalla de inicio	Zoom digital	Entrar en el menú principal
	Interfaz principal	Introducir el submenú / Confirmar la selección	Guardar y volver a la pantalla de inicio

Botón	Estado actual	Pulsar brevemente	Mantener pulsado
	Pantalla de inicio	Tomar una foto	Iniciar la grabación de vídeo
Botón abajo ▼	Interfaz del menú principal	Desplazarse hacia abajo en la opción del menú	--
	Grabación de vídeo	Tomar una foto	Detener y guardar la grabación de vídeo
Botones Arriba + M ▲ + M	Pantalla de inicio	--	Activación / desactivación de la función del telémetro estadiamétrico
Boutons Haut + Bas ▲ + ▼	Pantalla de inicio	--	Activación / desactivación del seguimiento de puntos calientes
Boutons M + Bas M + ▼	Pantalla de inicio	--	Calibrar el sensor

Carga

La serie AFFO se suministra con un paquete de batería de iones de litio recargable incorporado, que permite un funcionamiento de hasta 9,5 horas. Cuando utilice el dispositivo por primera vez, cargue completamente primero.

- Abra la tapa de goma USB **(10)** en la parte inferior del dispositivo.
- Conecte el enchufe Tipo C del cable de datos al puerto Tipo C **(12)** del dispositivo.
- Conecte otro puerto del cable de datos al adaptador de corriente.
- Inserte el enchufe del adaptador en la toma de corriente de 110-240 V.
- Cuando el dispositivo se está cargando, el indicador de alimentación **(11)** junto al puerto de Tipo C **(12)** es rojo. El indicador de alimentación **(11)** está encendido solo en el estado de carga. Cuando el indicador de alimentación **(11)** se vuelve verde, el dispositivo está completamente cargado. Cuando el indicador de alimentación **(11)** parpadea alternativamente en rojo y verde, indica que la batería no está cargada o que la temperatura es demasiado alta o demasiado baja.
- Al cargar, aparecerá un icono de iluminación  dentro del icono de la batería en la pantalla. El icono de iluminación no desaparecerá hasta que se retire el cable de datos o se corte la alimentación.

- La carga finaliza cuando el interior del icono de la batería en la pantalla está completamente verde .
- Durante el uso, cuando el icono de la batería se vuelve rojo , esto significa que el nivel de energía es bajo, cargue el dispositivo a tiempo para evitar la pérdida de datos.

Especificaciones

Modelo	AP09	AP13	AL19	AL25
Microbolómetro				
Resolución, píxeles	256 × 192		384 × 288	
Tamaño de píxeles, μm	12			
NETD, mk	≤ 40			
Velocidad de fotogramas, Hz	25		50	
Especificaciones Ópticas				
Lente Objetiva, mm	9	13	19	25
Campo de visión, °	19,4×12,2	13,5×8,4	13,8×8,7	10,5×6,6
Campo de Visión Lineal (H×V), m a 100 m	34,1×21,3	23,6×14,8	24,3×15,2	18,4×11,5
Magnificación, ×	1,3	2,0	2,0	2,5
Zoom digital, ×	1/2		1/2/4	
Dioptrías, D	-7 ~ +2			
Alivio ocular, mm	20			
Diámetro de la pupila de salida, mm	5			
Rango de detección, m (Tamaño objetivo: 1,7 m × 0,5 m, P(n) = 99%)	460	670	980	1300

Modelo	AP09	AP13	AL19	AL25
Pantalla				
Tipo	AMOLED			
Resolución, píxeles	640 × 400			
Fuente de Alimentación				
Batería / Capacidad / Tensión de salida	Paquete de batería de iones de litio / 3,6 Ah / 3,6 V			
Vida útil máxima de la batería (t = 25 °C)*, h	9,5		7,5	
Fuente de alimentación externa	5 V (Tipo C)			
Especificaciones Operativas				
Cantidad de memoria incorporada, GB	8			
Clasificación IP	IP67			
Wi-Fi / APP	Soporte (InfiRay Outdoor)			
Temperatura de funcionamiento, °C	-20 ~ +50			
Dimensión, mm	160 × 60 × 60		169 × 60 × 60	
Peso, g	≤ 340		≤ 350	

* El tiempo de funcionamiento real depende de la intensidad de uso de Wi-Fi y de la grabadora de vídeo incorporada.

- Se pueden realizar mejoras en el diseño y el software de este producto para mejorar sus características sin previo aviso del cliente.

Actualización e InfiRay Outdoor

Con el fin de mejorar continuamente el rendimiento del producto y proporcionar una mejor experiencia de usuario, el programa de software, así como los parámetros y las instrucciones de operación del dispositivo se actualizará constantemente. Los usuarios pueden acudir al sitio web oficial (www.infirayoutdoor.com) para descargar y actualizar.

El monocular de imagen térmica de la serie AFFO es compatible con la tecnología de APP, y puede conectarse a un teléfono inteligente o tableta PC a través de Wi-Fi para la transmisión de imágenes en tiempo real, las operaciones de control y las actualizaciones del programa.

Puede descargar e instalar la APP **InfiRay Outdoor** en el sitio web oficial (www.infirayoutdoor.com) o en la tienda de APP. Alternativamente, puede descargar la APP escaneando el siguiente código QR.



Información Importante para la Seguridad

Influencias ambientales

- Nunca apunte la lente del dispositivo directamente a fuentes de calor intenso, como el sol o el equipo láser. La lente del objetivo y el ocular pueden funcionar como un vidrio ardiente y dañar los componentes interiores.
- Evite tocar la superficie metálica (aletas de enfriamiento) después de la exposición a la luz solar o al frío.

Notas de ergonomía

Tome descansos después de períodos de uso más largos para evitar el dolor en la muñeca.

Riesgo de deglución

No coloque este dispositivo en manos de niños pequeños. La manipulación incorrecta puede hacer que las piezas pequeñas se suelten y se puedan tragar.

Instrucciones de seguridad para uso

- Maneje el dispositivo con cuidado: un manejo brusco puede dañar la batería interna.
- No exponga el dispositivo al fuego ni a temperaturas altas.
- No desarme el dispositivo para acceder a la batería. La batería no está destinada a ser reemplazada por el usuario final.
- La capacidad de la batería disminuirá cuando se opera

en una temperatura ambiental fría. Esto no es una falla, sino ocurrido por razones técnicas.

- El rango de temperatura recomendado para usar este producto es de $-20\text{ }^{\circ}\text{C}$ - $+50\text{ }^{\circ}\text{C}$. La vida útil del producto se verá afectada si la temperatura excede dicho rango.
- No almacene el dispositivo a largo plazo a temperaturas inferiores a $-20\text{ }^{\circ}\text{C}$ o superiores a $50\text{ }^{\circ}\text{C}$, por el cual se reduce permanentemente la capacidad de la batería.
- Siempre almacene el dispositivo en un lugar seco con buena ventilación.
- Si el dispositivo se ha dañado o la batería está defectuosa, envíelo a nuestro servicio posventa para su reparación.
- Asegúrese de que la tapa de tipo C esté bien apretada antes de usar este producto en un ambiente acuoso.

Instrucciones de seguridad para la unidad de fuente de alimentación

- Inspeccione si se encuentra algún daño visible en la unidad de fuente de alimentación, el cable y el adaptador antes de usarlo.
- No utilice ninguna pieza defectuosa. Los componentes defectuosos se deben reemplazar.
- No use la unidad de fuente de alimentación en ambientes mojados o húmedos.
- Cargue el dispositivo dentro del rango de temperatura de $0\text{ }^{\circ}\text{C}$ - $50\text{ }^{\circ}\text{C}$.
- No realice ninguna modificación técnica.

Eliminación de la batería



Decreto 2006/66/EC (decreto de batería): Este producto contiene una batería que no se puede eliminar como residuos municipales no clasificados en la Unión Europea. Consulte los documentos del producto específico para obtener más detalles de la batería. La batería está marcada con este símbolo y puede contener Cd (para cadmio), Pb (para plomo) o Hg (para mercurio). Para un reciclaje adecuado, devuelva la batería a su proveedor o llévela a un punto de acopio designado por favor. Para obtener más información, visite www.recyclethis.info.

Información para el usuario sobre la eliminación de los dispositivos eléctricos y electrónicos (domicilios privados)



2012/19/EU (decreto de WEEE): Los productos marcados con este símbolo no se pueden eliminar como residuos municipales no clasificados en la Unión Europea. Para un reciclaje adecuado, devuelva este producto a su proveedor local cuando compre un nuevo producto equivalente, o llévelo a un punto de acopio designado por favor. Para obtener más información, visite www.recyclethis.info.

Para clientes comerciales en la Unión Europea

Comuníquese con su distribuidor o proveedor con relación a la eliminación de los dispositivos eléctricos y electrónicos. Le proporcionará más información.

Información sobre eliminación en otros países fuera de la Unión Europea

Este símbolo es aplicable solo en la Unión Europea. Comuníquese con su autoridad local o distribuidor si desea deshacerse de este producto y solicitar una opción de eliminación.

Uso previsto

El dispositivo está diseñado para mostrar firmas de calor durante las observaciones de la naturaleza, de caza remota y para uso civil. Este dispositivo no es un juguete para niños.

Utilice el dispositivo solo como lo descrito en este manual de operación. El fabricante y el distribuidor no asumen ninguna responsabilidad por los daños que se generen por un uso no previsto o incorrecto.

Prueba de función

- Antes de usarlo, asegúrese de que su dispositivo no tenga daños visibles.
- Pruebe para ver si el dispositivo muestra una imagen clara y sin perturbaciones.
- Verifique si los ajustes del dispositivo son correctos. Vea las notas en la sección de Operación.

Instalación / extracción de la batería

El monocular de imagen térmica de la serie AFFO está equipado con un paquete de batería. No se puede retirar.

Información legal y regulatoria

Rango de frecuencia del módulo transmisor inalámbrico:

WLAN: 2,412 - 2,472 GHz

Potencia del módulo transmisor inalámbrico < 20 dBm

CE Nosotros por el presente declaramos que el equipo de radio serie AFFO cumple con las Directivas 2014/53/UE y 2011/65/UE.

Información regulatoria EE. UU.

ID de FCC: 2AYGT-2J-00

Requisitos de etiqueta

Este dispositivo cumple con la parte 15 de las Reglas de la FCC. La operación está sujeta a las siguientes dos condiciones: (1) Este dispositivo podría no causar interferencia nociva y (2) este dispositivo debe aceptar cualquier interferencia recibida, incluida la interferencia que pueda causar una operación no deseada.

Información al usuario

Cualquier cambio o modificación que no sea aprobado expresamente por la parte responsable de la conformidad podría invalidar la autoridad del usuario para operar el equipo.

CEM: Clase A

Nota: Este equipo se sometió a pruebas y cumple con los límites para un dispositivo digital de Clase A, de conformidad con la parte 15 de las Normas de FCC. Estos

límites se diseñaron para ofrecer protección razonable contra interferencias perjudiciales cuando el equipo se utiliza en un entorno comercial. El equipo genera, utiliza y puede radiar energía de radiofrecuencia y, si no se instala ni utiliza de conformidad con el manual de instrucciones, podría provocar interferencias perjudiciales a las comunicaciones por radio. Es probable que el funcionamiento de este equipo en una zona residencial cause interferencias perjudiciales, en cuyo caso el usuario deberá corregir la interferencia por su propia cuenta.

Para cumplir con los requisitos de exposición a RF, se debe mantener una distancia de separación mínima de 0,00 cm entre el cuerpo del usuario y el teléfono, incluida la antena.